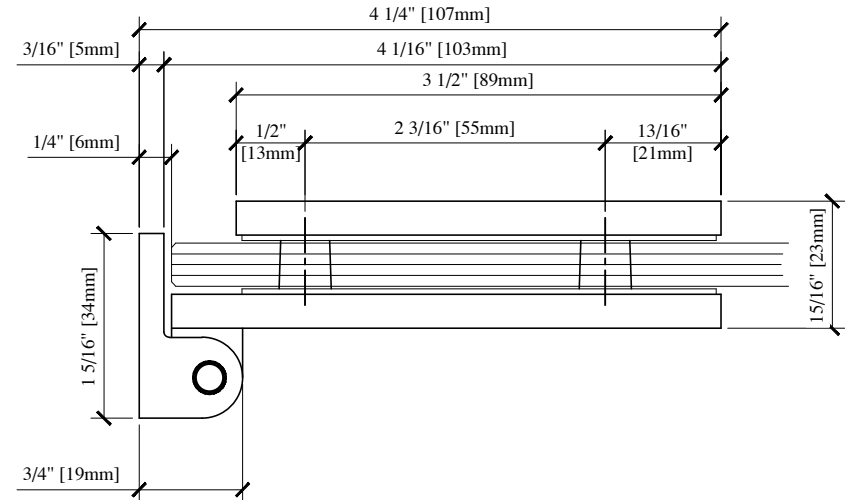
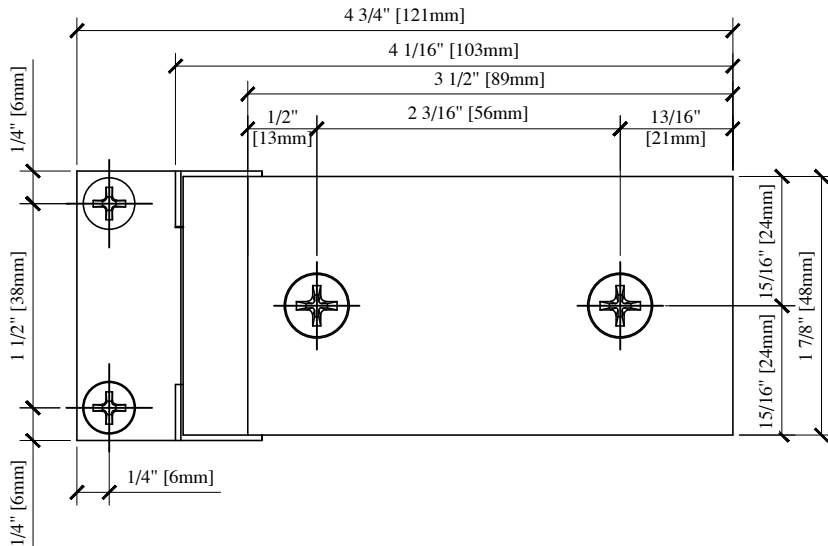
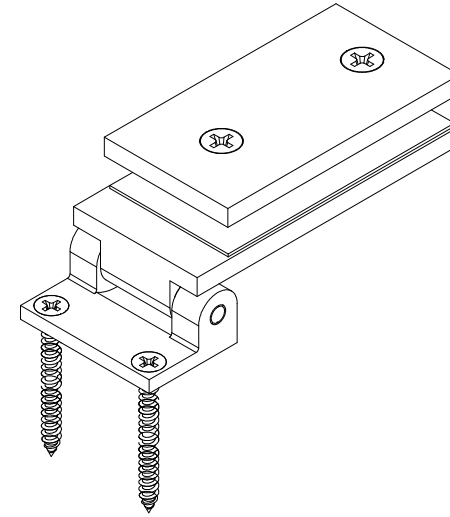


STANDARD FLUSH GLASS FABRICATION



180 DEG. OFFSET PIVOT HINGE
ASSEMBLY DETAIL USED FOR:

CATALOG NUMBER	FINISH
FA044CH	CHROME
FA044BR	BRASS

ALWAYS USE DIMENSIONS SHOWN ON THE PLAN.
DO NOT SCALE OR DIMENSION ACTUAL DRAWING
TO ENSURE ACCURACY



ARCHITECTURAL PRODUCTS
PH: 800-421-6144 FX: 800-262-3299
WWW.CRLAURENCE.COM

DESCRIPTION:

OFFSET PIVOT HINGE
FOR 5/16" (8mm) TO 3/8" (10mm)

CAT. NO: (SEE CHART)

DATE: 11/25/08

FILE NAME: FA044

SCALE: N.T.S.

DRAWN BY: R.P.A.

CHECKED BY: C.H.

SHT 1 OF 1